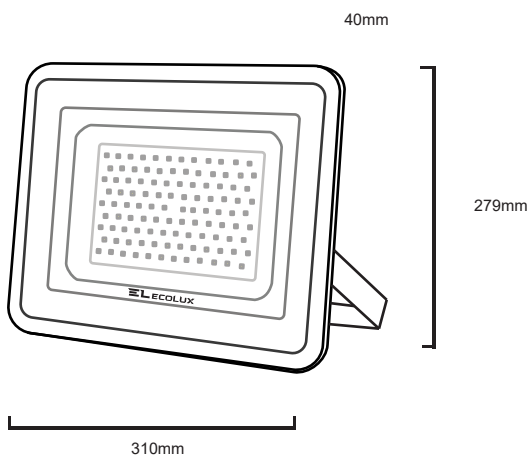




DIMENSION



PRODUCT

Name	E023E LED Flood LIGHT
Reference	EL-E023E-100W
Body color	Dark Grey
Material	Die-cast Aluminum
Category	Outdoor

LIGHTING INFORMATION

Light source	LED
Gross luminous flux	8000Lm - 3000K 8500Lm - 6500K
Power	100W
Colour temperature CCT	3000 / 6500 K
Colour Rendering Index	CRI = 70
Light beam angle	100°
Number of LEDs	108
Chip Type	SMD2835
Dimming	Non Dimmable
Median useful Life	50,000 hours

OTHER DATA

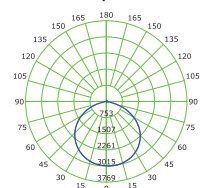
Ingress Protection	IP65
Dimension (mm)	L: 310 W: 279 H: 40mm
Working Temperature	-40 ~ +50°C

DRIVER OPTIONS

ON / OFF	
Class I	
Frequency (Hz)	50/60 Hz
Power Factor	0.9
Mains voltage	AC 220-240V
Ingress Protection	IP65

PHOTOMETRIC DETAILS

Luminous Intensity Distribution Curve



The Average Illuminance Effective Figure

